

TECH SHEET- NTN FREEDOM WARNING!

11-01-13

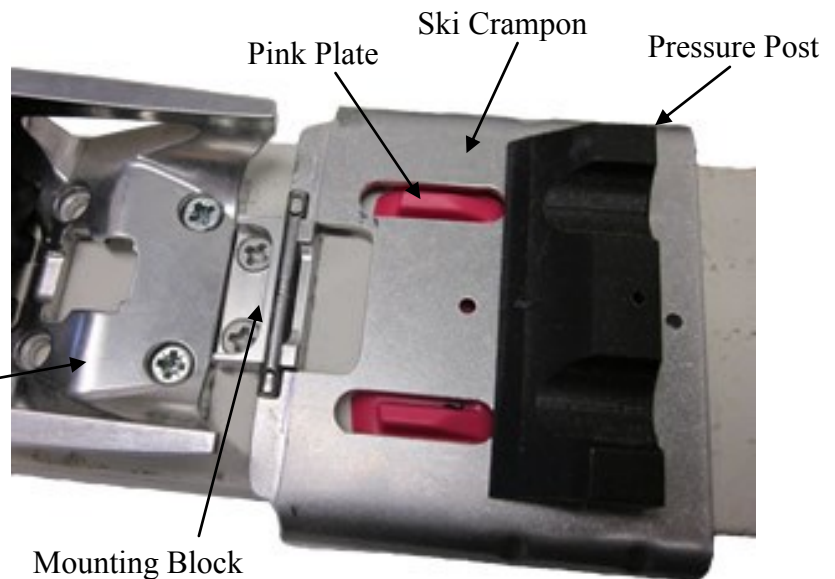
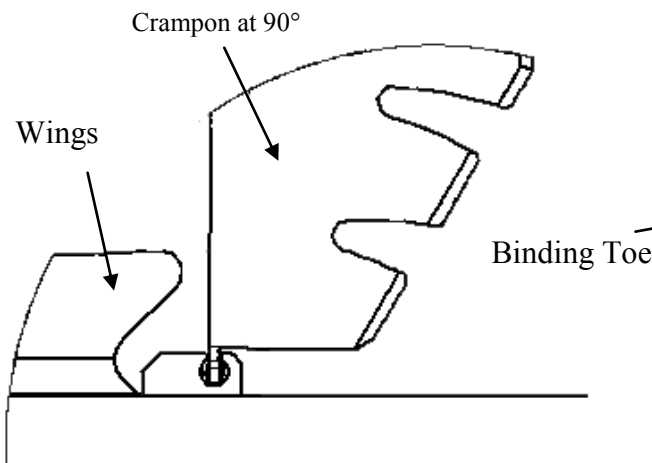
Ski Crampon

Mounting should only be attempted by a qualified ski technician with an understanding of how ski crampons function.

Mounting block should be positioned as far forward as possible on a FLAT surface that will still allow the crampon to be inserted at a 90° angle. The crampon must also clear the heel piece when fully engaged. Drill screw holes with 5/32 (3.9MM) drill.

Ski mountaineering is an exceptionally hazardous activity which often results in severe injuries and death. Any person purchasing or using this equipment assumes the responsibility for seeking proper training in its use and also assumes all risk for injury or damage sustained while using any of this equipment. This equipment is not to be used for any other purpose other than what it is intended for. Failure to follow these warnings increase the risk of injury or death. B & D Precision is not or shall not be liable for direct, indirect, incidental or other types of damages arising out of, or resulting from the use of this product.

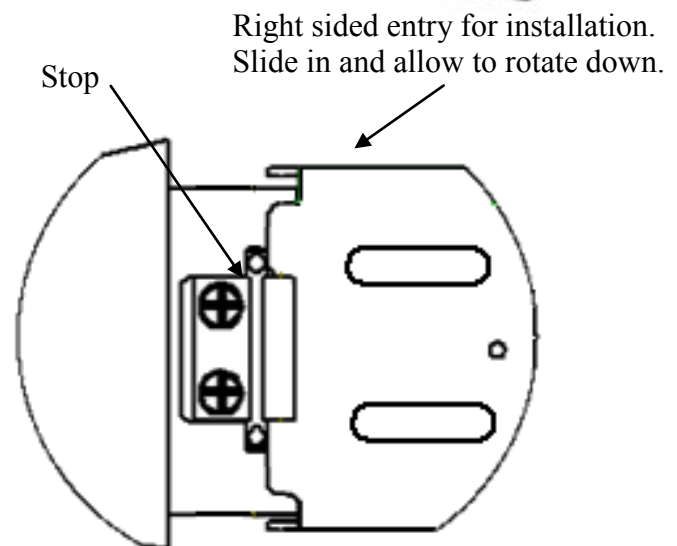
Crampon **MUST** Clear Wings



Installing Crampon

Slide crampon into mount block from right side with crampon in a position 90 degrees from horizontal. Holding crampon as close to centerline of pivot pin will help provide easy entry and installation. Stop will limit travel to operating position. Allow crampon to rotate down to horizontal position which locks it in its lateral position.

Make sure crampon is allowed to drop down parallel to ski prior to applying pressure with boot. This will avoid damage to base and crampon.



Questions regarding installation and operation, and any suggestions may be addressed to:
B & D Precision- www.bndskigear.com
19818 Canpom Ct.
Redding, CA 96003

Always test your gear before heading into the backcountry!